

# CRYSTAL OSCILLATOR TEST & BURN IN SOCKET

AXS-3225-04-06

Precision test socket for 3.2X2.5mm,  
4 pad crystal oscillator packages.



RoHS  
Compliant



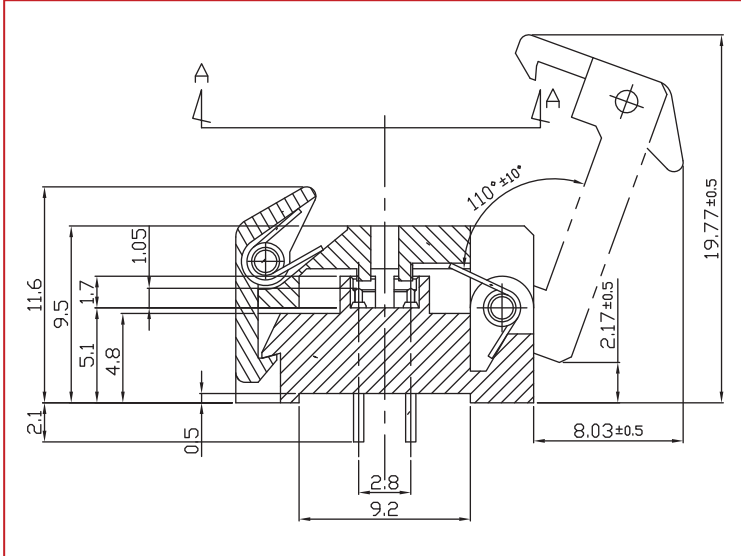
## FEATURES:

- Accurate and reliable testing of frequency control devices
- Contact force ideal for avoiding measurement error
- Highest quality socket available
- Clam shell design for easy open and close
- Reliable gold plated POGO pins
- Suitable for high temperature burn-in test
- Operating Temperature: -30 ~ +150°C

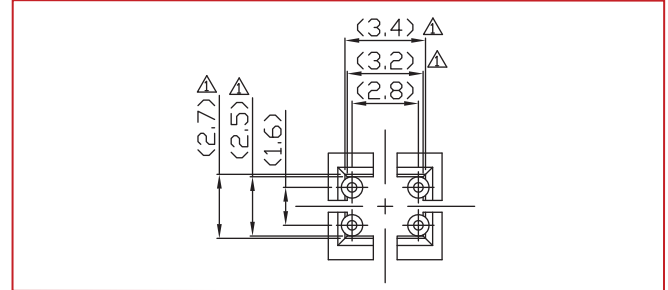
## APPLICATIONS:

- Design stage component engineering evaluation
- Supplier comparison tests
- High temperature burn-in board testing
- Prototyping

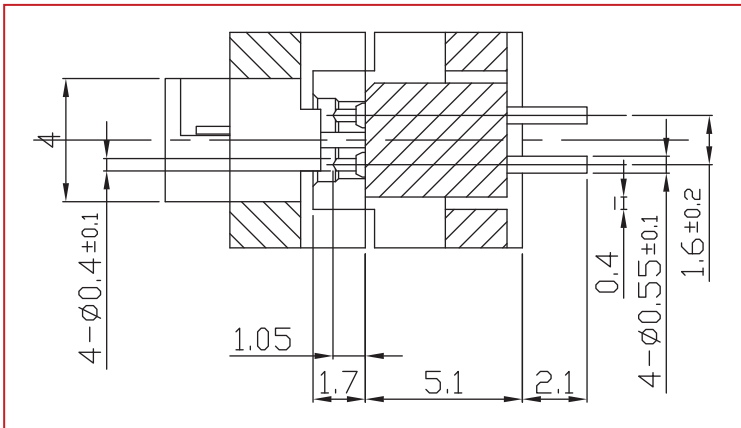
## SIDE VIEW (OPEN):



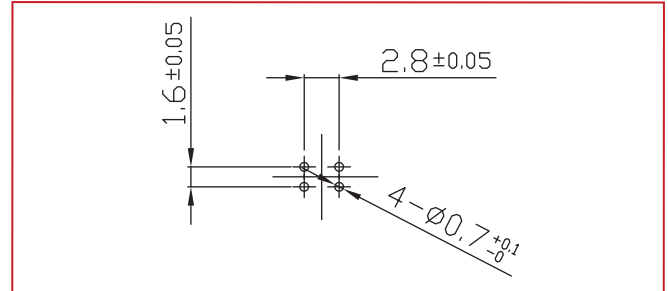
## POCKET TOP VIEW:



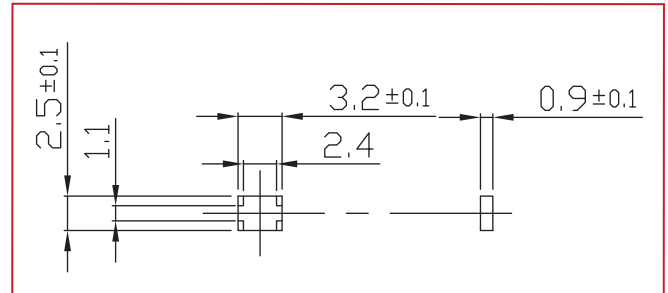
## END VIEW:



## PIN DIMENSIONS:



## SUITABLE CRYSTAL OSCILLATOR PACKAGE DIMENSIONS:



Dimensions: mm

## ORDERING INFORMATION:

When ordering, please refer to part number

**AXS-3225-04-06**

## COMPATIBLE ABRACON SURFACE MOUNT CRYSTAL OSCILLATOR:

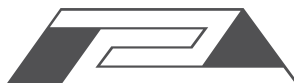
ASE3, ASE5, AP3S, ASVTX-11, ASEV  
(for a pdf download go to [www.abracon.com/oscillators.htm](http://www.abracon.com/oscillators.htm))

\* ABRACON test and burn in sockets are compatible with all industry standard frequency control packages.

## RECOMMENDED FOR USE WITH DEVICE PACKAGE DIMENSIONS:

**3.2 x 2.5 x 0.9mm**

ABRACON IS  
ISO 9001 / QS 9000  
CERTIFIED



**ABRACON  
CORPORATION**

Visit [www.abracon.com](http://www.abracon.com) for Terms & Conditions of Sale **Revised: 07.10.09**  
30332 Esperanza, Rancho Santa Margarita, California 92688  
tel 949-546-8000 | fax 949-546-8001 | [www.abracon.com](http://www.abracon.com)