

SMD ONE PORT 433.92 MHz SAW RESONATOR

ASR433T



9.3 x 3.4mm

STANDARD SPECIFICATIONS:

CHARACTERISTICS		UNIT	MIN.	TYP.	MAX.
Center Frequency Fo		MHz	433.845	433.920	434.995
Tolerance from Fo		KHz		±75	
Insertion Loss		dB	-	1.3	2.0
Quality Factor	Unloaded	-		10,500	
	50Ω loaded			1,450	
Temperature Stability	Turnover Temperature	°C	25	40	55
	Turnover Frequency	KHz		Fc	
	Freq. Temp. Coefficient	ppm/°C ²		0.037	
Frequency Aging		ppm/year		±10	
DC Insulation Resistance		MΩ	1.0		
RF Equivalent RLC Model	Motional Resistance R ₁	Ω		16	26
	Motional Inductance L ₁	μH		61.724	
	Motional Capacitance C ₁	fF		2.1817	
	Shunt Capacitance C ₀	pF		2.2	
Operating temp.		°C	-40°C to +85°C		
Storage temp.		°C	-40°C to +85°C		
Max. Rating	DC voltage	V	±10		
RF Power Dissipation		dBm	10		

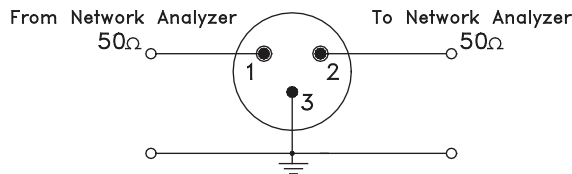
Electrostatic Sensitive Device. Handle with precaution.

MARKING:

- ASR433T

PIN NO.	CONNECTIONS
1	Input/Output
2	Output/Input
3	Case GND

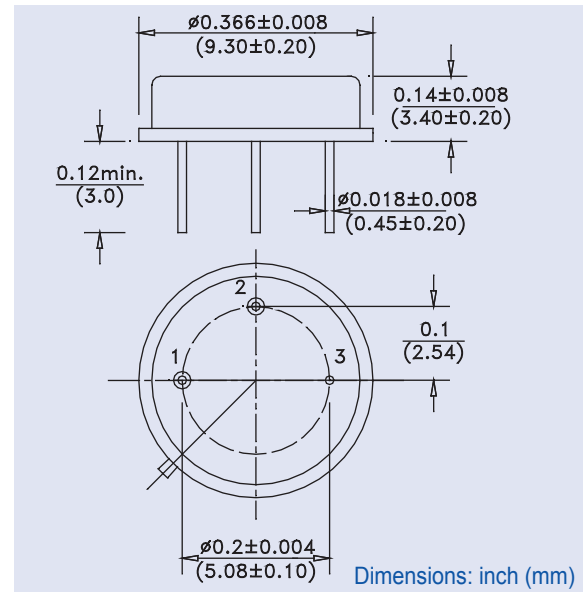
TEST CIRCUIT:



NOTES:

- 1) Frequency aging is specified at 65°C or less.
- 2) The center frequency Fc, is the frequency of minimum IL with the resonator in the specified test fixture in a 50Ω test system with VSWR ≤ 1.2.
- 3) Unless otherwise specified, case temperature is 25°C ± 2°C.
- 4) The design model values are for reference only. The capacitance C0 is the measured static capacitance between either pin 1 and ground or pin 2 to ground.

OUTLINE DRAWING:



ATTENTION: Abracon Corporation's products are COTS – Commercial-Off-The-Shelf products; suitable for Commercial, Industrial and, where designated, Automotive Applications. Abracon's products are not specifically designed for Military, Aviation, Aerospace, Life-dependant Medical applications or any application requiring high reliability where component failure could result in loss of life and/or property. For applications requiring high reliability and/or presenting an extreme operating environment, written consent and authorization from Abracon Corporation is required. Please contact Abracon Corporation for more information.

ABRACON IS
ISO 9001:2008
CERTIFIED



30332 Esperanza, Rancho Santa Margarita, California 92688
tel 949-546-8000 | fax 949-546-8001 | www.abracon.com