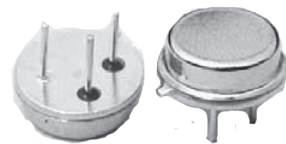


# SMD ONE PORT SAW RESONATOR

ASR433.92B01-SD22

 RoHS/RoHS II Compliant



Ø9.5 x 3.3mm

## FEATURES:

- Low loss
- Ø9.5 x 3.3mm package
- 50Ω terminating impedance
- Two port SAW Resonator

## APPLICATIONS:

- Wireless remote controller
- Mobile communication

## STANDARD SPECIFICATIONS:

### Maximum Rating

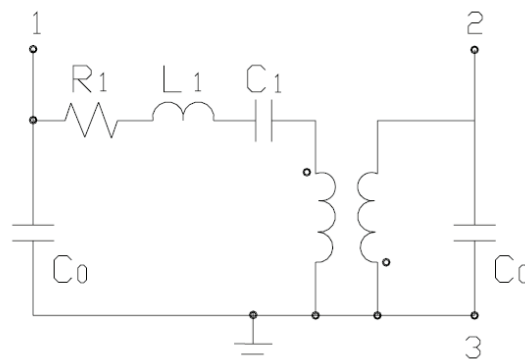
Parameters	Minimum	Typical	Maximum	Units	Notes
DC Voltage			10	V <sub>DC</sub>	
AC Voltage (50Hz/60Hz)			10	V <sub>p-p</sub>	
Operation Temperature	-40		+85	°C	
Storage Temperature	-45		+85	°C	
RF Power Dissipation			0	dBm	

### Key Electrical Specifications

Test temperature: +22°C±2°C; Terminating source impedance: 50Ω; Terminating load impedance: 50Ω

Parameters	Minimum	Typical	Maximum	Units	Notes
Center Frequency (f <sub>0</sub> )	433.845	433.92	433.995	MHz	
Insertion Loss		6.3	8.0	dB	
Quality Factor	Unloaded Q	12000			
	50Ω Loaded Q		5300		
Temperature Stability	Turnover Temperature	10	25	40	°C
	Frequency Temperature Coefficient		0.037		ppm/°C <sup>2</sup>
RF Equivalent RLC Model	Motional Resistance R <sub>1</sub>		107	152	Ω
	Motional Inductance L <sub>1</sub>		481		μH
	Motional Inductance C <sub>1</sub>		0.28		fF
	Shunt Static Capacitance C <sub>0</sub>	1.4	1.7	2.0	pF
Frequency Aging		≤10		ppm/yr	
DC Insulation Resistance	1.0			MΩ	

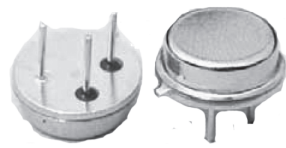
## EQUIVALENT LC MODEL



# SMD ONE PORT SAW RESONATOR

ASR433.92B01-SD22

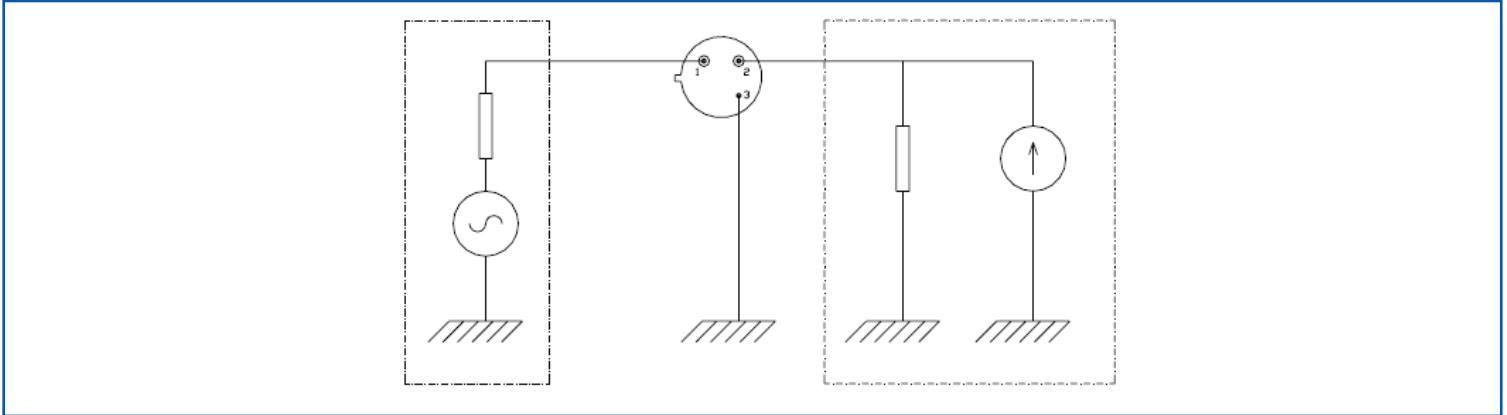
 RoHS/RoHS II Compliant



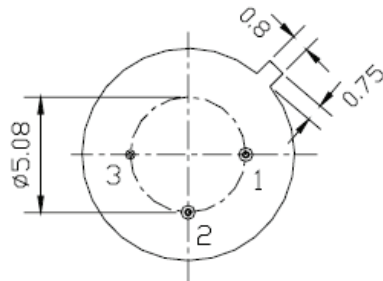
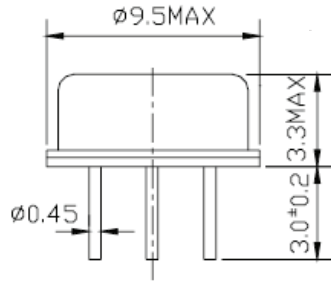
Ø9.5 x 3.3mm

## TEST CIRCUIT

## T CIRCUIT



## OUTLINE DIMENSIONS:

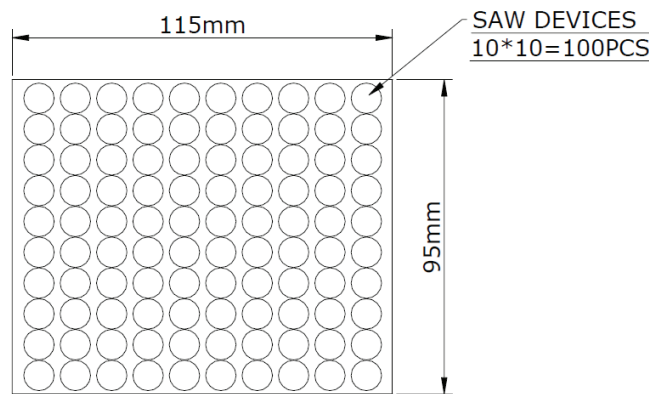


Pin #	Function
1	Input
2	Output
3	GND

Dimensions: mm

## PACKAGING:

100pcs/Tray



Dimensions: mm

**ATTENTION:** Abracon Corporation's products are COTS – Commercial-Off-The-Shelf products; suitable for Commercial, Industrial and, where designated, Automotive Applications. Abracon's products are not specifically designed for Military, Aviation, Aerospace, Life-dependant Medical applications or any application requiring high reliability where component failure could result in loss of life and/or property. For applications requiring high reliability and/or presenting an extreme operating environment, written consent and authorization from Abracon Corporation is required. Please contact Abracon Corporation for more information.

ABRACON IS  
ISO9001:2008  
CERTIFIED



Visit [www.abracon.com](http://www.abracon.com) for Terms & Conditions of Sale **Revised: 10.08.13**  
30332 Esperanza, Rancho Santa Margarita, California 92688  
tel 949-546-8000 | fax 949-546-8001 | [www.abracon.com](http://www.abracon.com)