

TTL/CMOS VOLTAGE CONTROLLED CRYSTAL OSCILLATOR



ACVX1222



20.8 x 13.2 x 5.08 mm

FEATURES:

- 14-Pin DIP 5V
- 5.08mm in height
- Large frequency pulling available
- Tight symmetry (45/55%) available
- Good linearity

APPLICATIONS:

- PLLs
- Clock recovery
- Reference signal tracking
- Synthesizers

STANDARD SPECIFICATIONS:

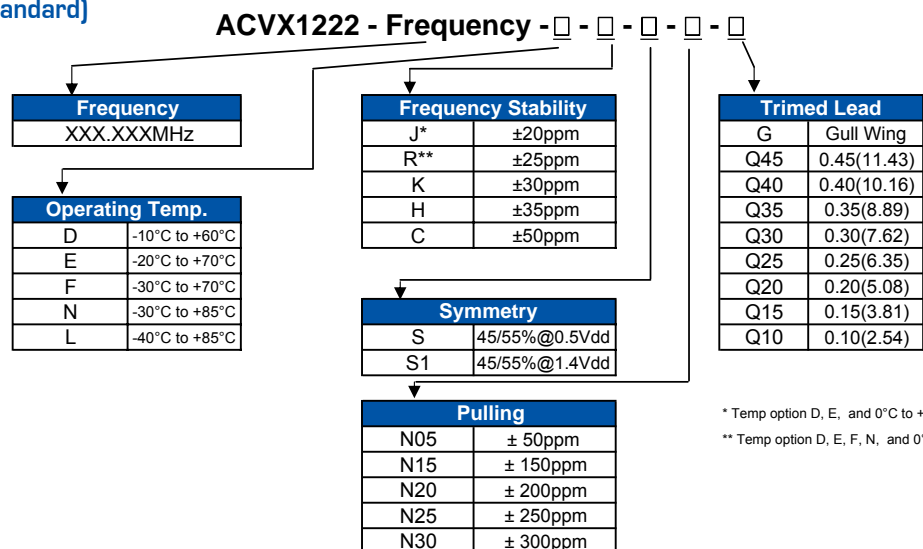
PARAMETERS	
Abracon P/N:	ACVX1222 Series
Frequency range:	1.0MHz to 200.0MHz
Operating temperature:	0° C to + 70° C (see options)
Storage temperature:	-40° C to + 85° C
Frequency Stability vs. Temperature:	± 100ppm max. (see options)
Frequency Stability vs. Aging:	± 5ppm/year max.
Frequency Stability vs. Supply Voltage:	± 5ppm max.
Supply Voltage (Vdd):	5.0 Vdc ±5%
Supply Current (Idd):	See Table 1
Symmetry:	40/60% max. @ 1/2 Vdd (see option)
Rise and Fall Time (Tr/Tf):	10ns max.
Output Load:	TTL/CMOS (10TTL or 15pF gate)
Output Voltage:	VOH=0.9*Vdd min. VOL=0.4 V max.
Transfer Function:	Positive
Control Voltage (Vcc):	0.5Vdc to 4.5Vdc
Center Voltage:	2.5 VDC ± 0.5V
Frequency Deviation:	± 100 ppm min. (see options)
Linearity:	± 10% max.
Start-up time:	10ms.max.

Table 1

Freq MHz	Idd max. mA
≤26	25
≤45	30
≤70	60
≤200	90

OPTIONS AND PART IDENTIFICATION:

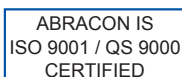
(Left blank if standard)



* Temp option D, E, and 0°C to +70°C only

** Temp option D, E, F, N, and 0°C to +70°C only

Please contact ABRACON if parts are intended for life dependent applications.



Visit www.abracon.com for Terms & Conditions of Sale **Revised: 04.11.08**
 30332 Esperanza, Rancho Santa Margarita, California 92688
 tel 949-546-8000 | fax 949-546-8001 | www.abracon.com

TTL/CMOS VOLTAGE CONTROLLED CRYSTAL OSCILLATOR

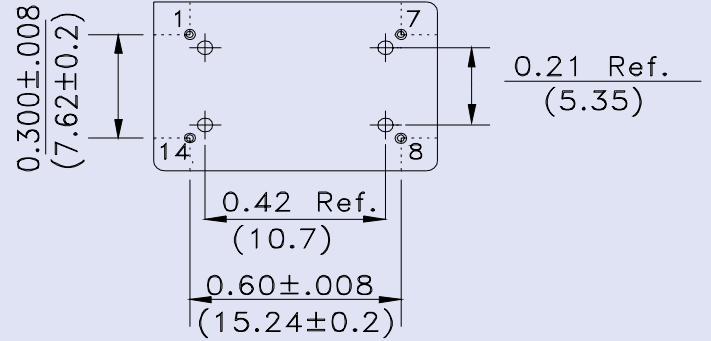
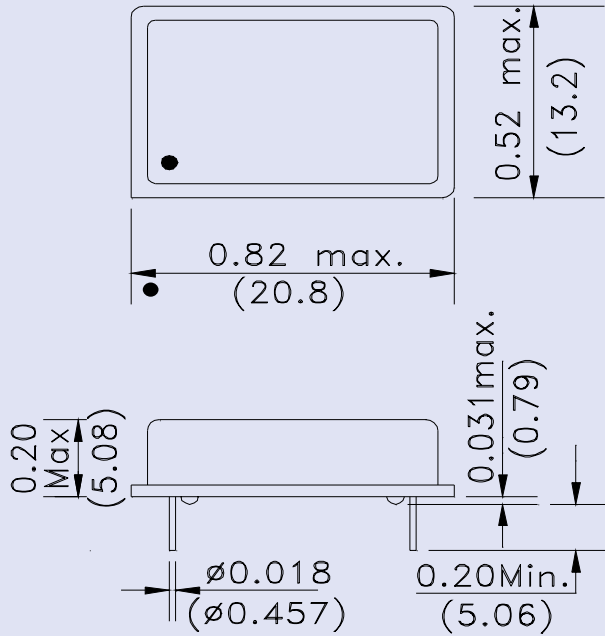


20.8 x 13.2 x 5.08 mm

ACVX1222



OUTLINE DRAWING:



PIN	FUNCTION
1	Vcc
7	GND/Case
8	Output
14	Vdd

Note: Recommend using an approximately 0.01uF bypass capacitor between Pin 7 and 14

Dimensions: mm

Please contact ABRACON if parts are intended for life dependent applications.

ABRACON IS
 ISO 9001 / QS 9000
 CERTIFIED



Visit www.abracon.com for Terms & Conditions of Sale **Revised: 04.11.08**
 30332 Esperanza, Rancho Santa Margarita, California 92688
 tel 949-546-8000 | fax 949-546-8001 | www.abracon.com