

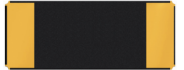
32.768kHz SMD LOW PROFILE CRYSTAL

ABS06

ABS06



RoHS/RoHS II Compliant



2.0 x 1.2 x 0.6mm

Moisture Sensitivity Level (MSL) – This product is Hermetically Sealed and not Moisture Sensitive - MSL = N/A: Not Applicable

FEATURES:

- Miniature size 2.0 x 1.2 x 0.6mm ideal for high density circuit boards
- Ceramic package offers excellent environmental & heat resistance
- Extended temperature -55°C to +125°C for industrial applications

APPLICATIONS:

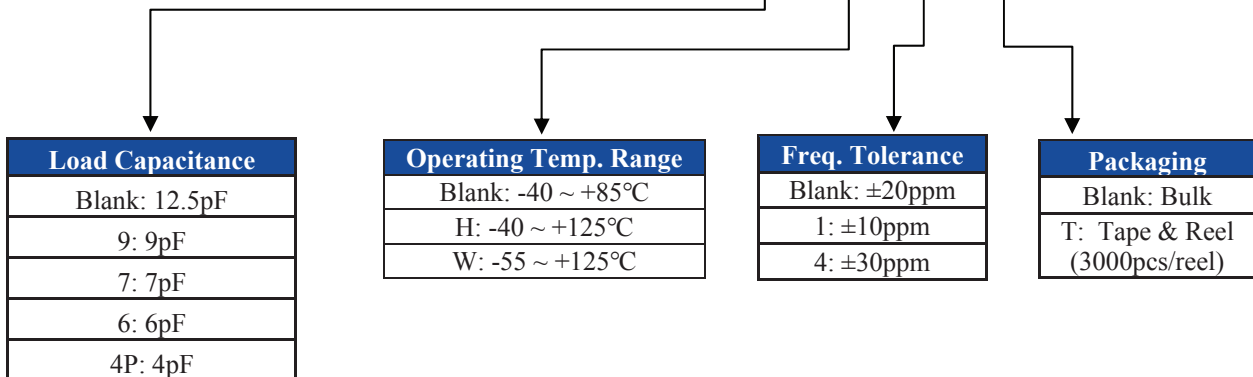
- Wide range in communication & measuring equipment
- Commercial & Industrial applications
- Wireless communications
- PDA and Palm Pilots

STANDARD SPECIFICATIONS:

Parameters	Minimum	Typical	Maximum	Units	Notes
Frequency		32.768		kHz	
Operation Mode	Flexural Mode (Tuning Fork)				
Operating Temperature	-40		+85	°C	
Storage Temperature	-55		+125	°C	
Frequency Tolerance @+25°C	-20		+20	ppm	See options Tested at 0.5uW
Temperature Coefficient:	-0.04	-0.03	-0.02	ppm/T ²	
Turn-over temperature:	+20	+25	+30	°C	
Equivalent series resistance (R1)			90	kΩ	For -40 ~ +85°C option
			110	kΩ	For -40 ~ +125°C option & -55 ~ +125°C option
Load capacitance (CL)		12.5		pF	See options
Drive Level		0.1	0.5	μW	
Q value	9000				
Aging@25°C±3°C	-3		3	ppm	First year
Insulation Resistance	500			MΩ	@ 100Vdc ± 15V

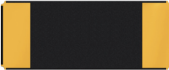
OPTIONS AND PART IDENTIFICATION: (Left blank if standard)

ABS06 – 32.768 kHz - [] - [] - [] - []



32.768kHz SMD LOW PROFILE CRYSTAL

ABS06



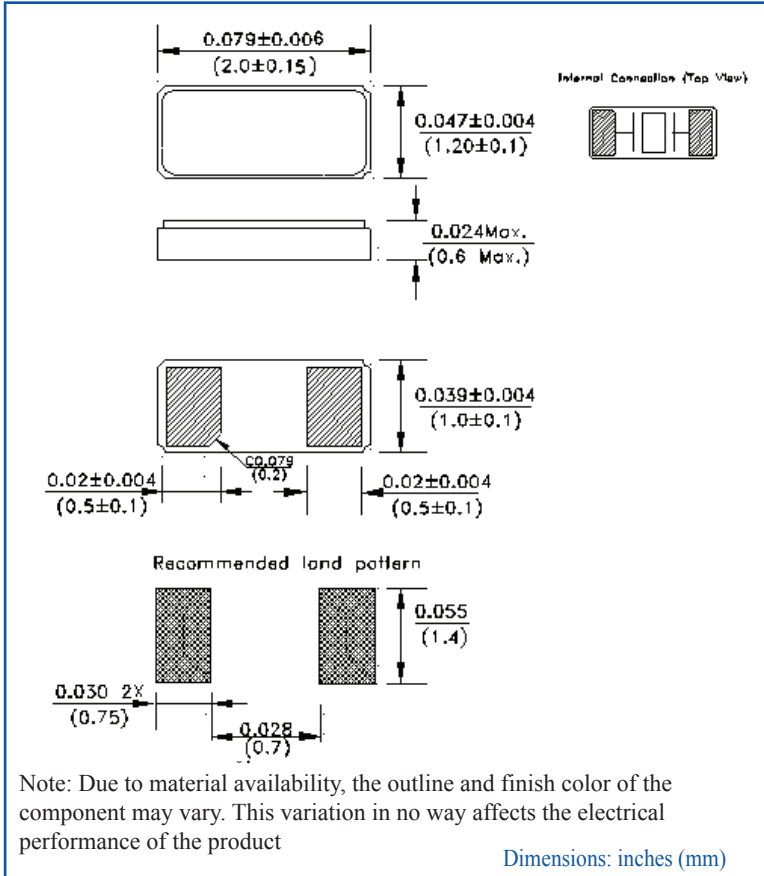
2.0 x 1.2 x 0.6mm

ABS06

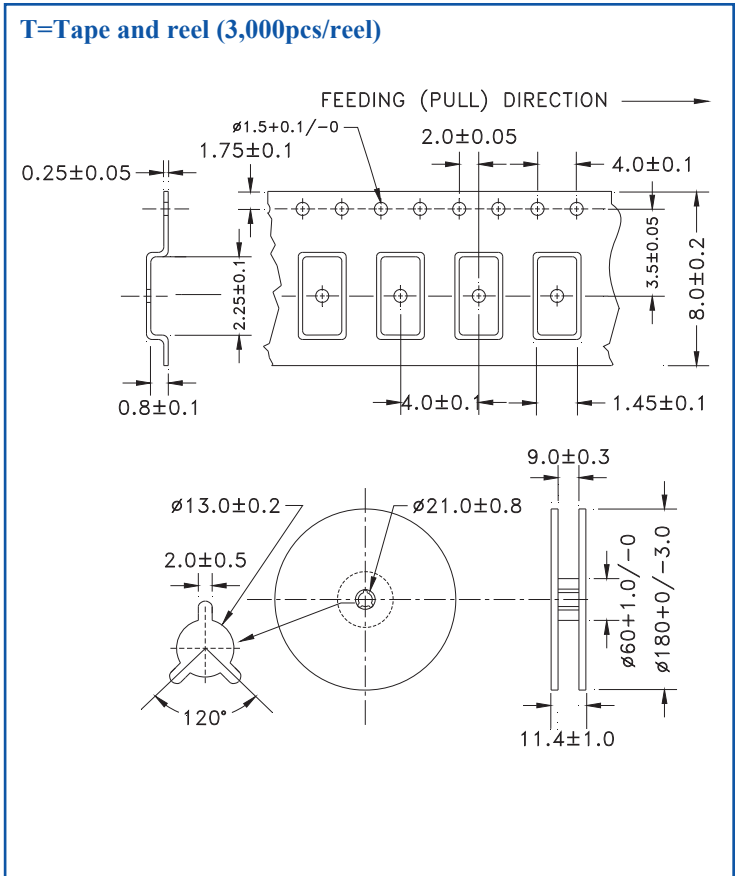


RoHS/RoHS II Compliant

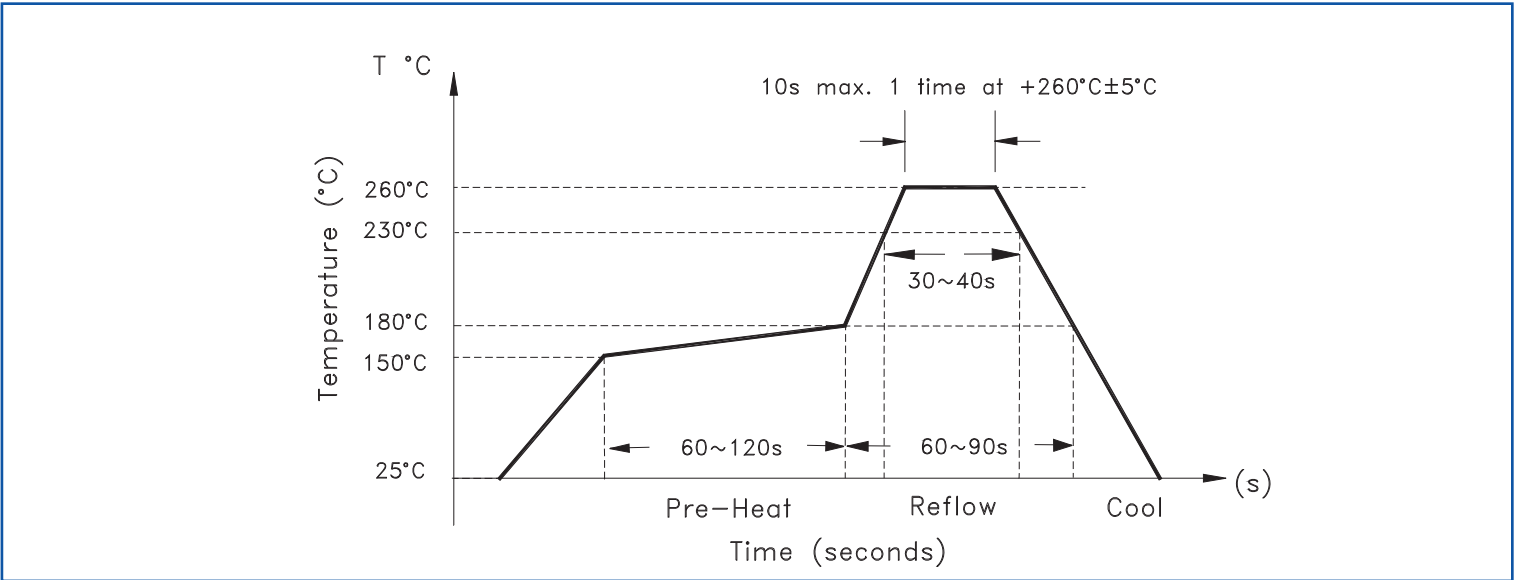
OUTLINE DRAWING:



TAPE & REEL:



REFLOW PROFILE:



Need a test socket for the ABS06 Series? To view compatible **PRECISION TEST & BURN-IN SOCKETS** for these parts, [click here](#). P/N AXS-2012-02-04

ATTENTION: Abracon Corporation's products are COTS – Commercial-Off-The-Shelf products; suitable for Commercial, Industrial and, where designated, Automotive Applications. Abracon's products are not specifically designed for Military, Aviation, Aerospace, Life-dependant Medical applications or any application requiring high reliability where component failure could result in loss of life and/or property. For applications requiring high reliability and/or presenting an extreme operating environment, written consent and authorization from Abracon Corporation is required. Please contact Abracon Corporation for more information.

ABRACON IS
ISO 9001:2008
CERTIFIED



2 Faraday, Suite# B | Irvine | CA 92618 **Revised: 04.09.15**
Ph. 949.546.8000 | Fax. 949.546.8001
Visit www.abracon.com for Terms and Conditions of Sale