

THRU-HOLE MICROPROCESSOR CRYSTAL

ABL7M



RoHS / RoHS II Compliant



6.6 x 4.0 x 1.8mm

FEATURES:

- Reduced footprint from the standard HC/49US package
- Low profile: 1.8mm typ. height
- Tight stability & extended temperature options
- High reliability & Cost effective
- Resistance welded metal package

APPLICATIONS:

- Wireless Applications
- Home electronics
- Computers, modems, and communications
- Microprocessors

STANDARD SPECIFICATIONS:

Parameters	Minimum	Typical	Maximum	Units	Notes
Frequency Range*	12.0		40.0	MHz	
Standard Frequencies	12.0, 12.288, 13.5, 13.56, 14.31818, 14.7456, 16.0, 18.432, 20.0, 20.5, 24.0, 24.576, 25.0, 26.0, 27.0			MHz	
Operation Mode	Fundamental (AT-cut)				
Operating Temperature	0		+70	°C	See options
Storage Temperature	-40		+125	°C	
Frequency Tolerance @+25°C	-50		+50	ppm	See options
Frequency Stability over the Operating Temperature (ref. to +25°C)	-50		+50	ppm	See options
Equivalent series resistance (R1) @+25°C			60	Ω	12.000 ~ 16.000MHz
			40		16.001 ~ 30.000MHz
			25		30.001 ~ 40.000MHz
Shunt capacitance (C0)			5	pF	
Load capacitance (CL)	18			pF	Standard (See options if other than STD)
Drive Level		50	100	μW	
Aging	-5		+5	ppm	@25°C±3°C First year
Insulation Resistance	500			MΩ	@ 100Vdc ± 15V
Drive level dependency (DLD)	10nw ~ 100uw, 12 points Change in ESR (Maximum - Minimum) over DLD range < 30% ESR max.				

* Please contact Abracon for other frequencies.



THRU-HOLE MICROPROCESSOR CRYSTAL



6.6 x 4.0 x 1.8mm

ABL7M



RoHS / RoHS II Compliant

PART IDENTIFICATIONS: (Left blank if standard)

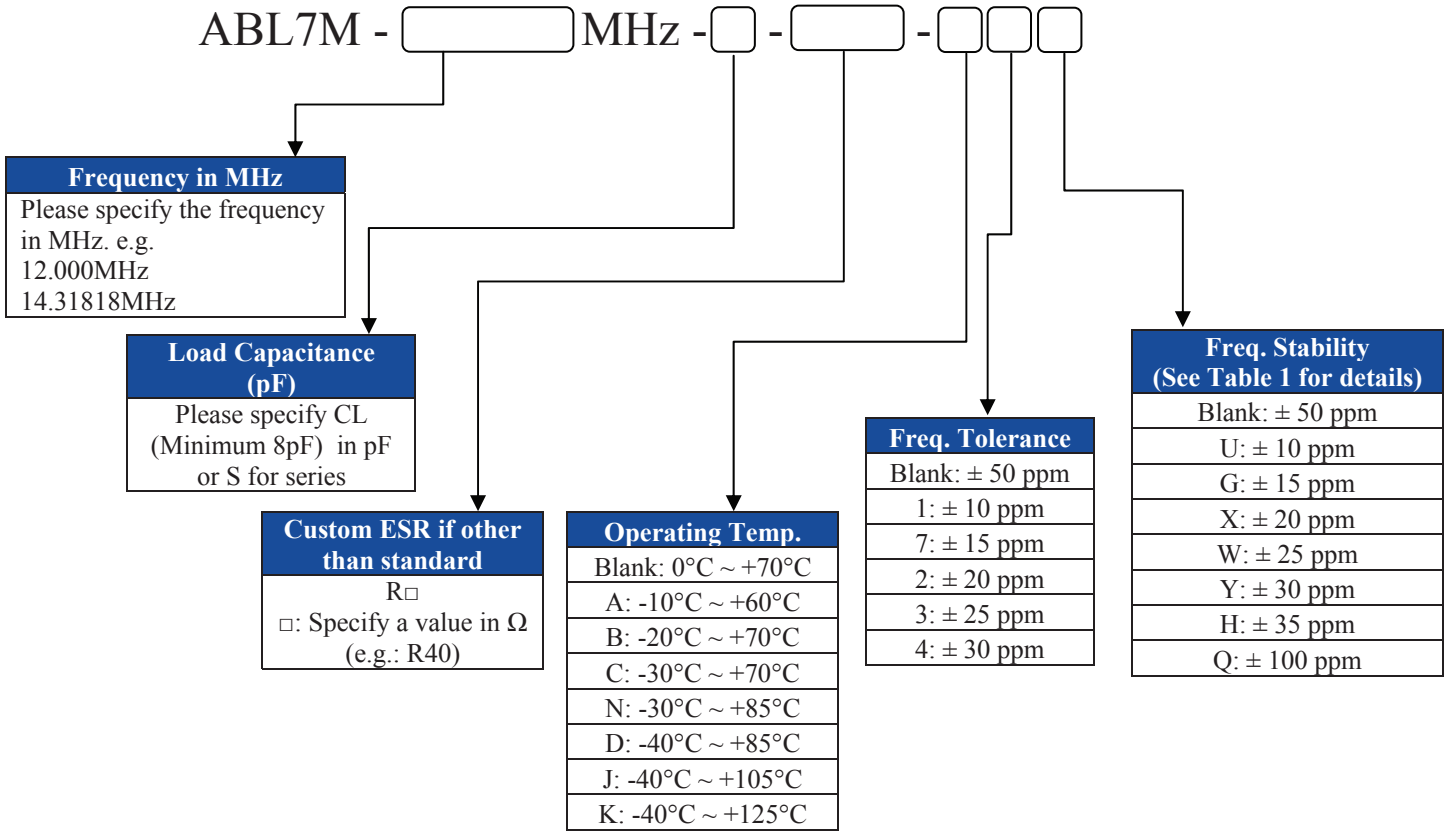


Table 1 Available Combinations of Operating Temp. and Freq. Stability

Operating Temp.	Freq. Stability							
	U:±10ppm	G:±15ppm	X:±20ppm	W:±25ppm	Y:±30ppm	H:±35ppm	Std.:±50ppm	Q:±100ppm
A: -10°C ~ +60°C	√	√	√	√	√	√	√	√
Std.: 0°C ~ +70°C	√	√	√	√	√	√	√	√
B: -20°C ~ +70°C		√	√	√	√	√	√	√
C: -30°C ~ +70°C			√	√	√	√	√	√
N: -30°C ~ +85°C					√	√	√	√
D: -40°C ~ +85°C					√	√	√	√
J: -40°C ~ +105°C							√	√
K: -40°C ~ +125°C								√

Note: Please contact Abracon for other frequency stability and operating temperature range options.



THRU-HOLE MICROPROCESSOR CRYSTAL

ABL7M

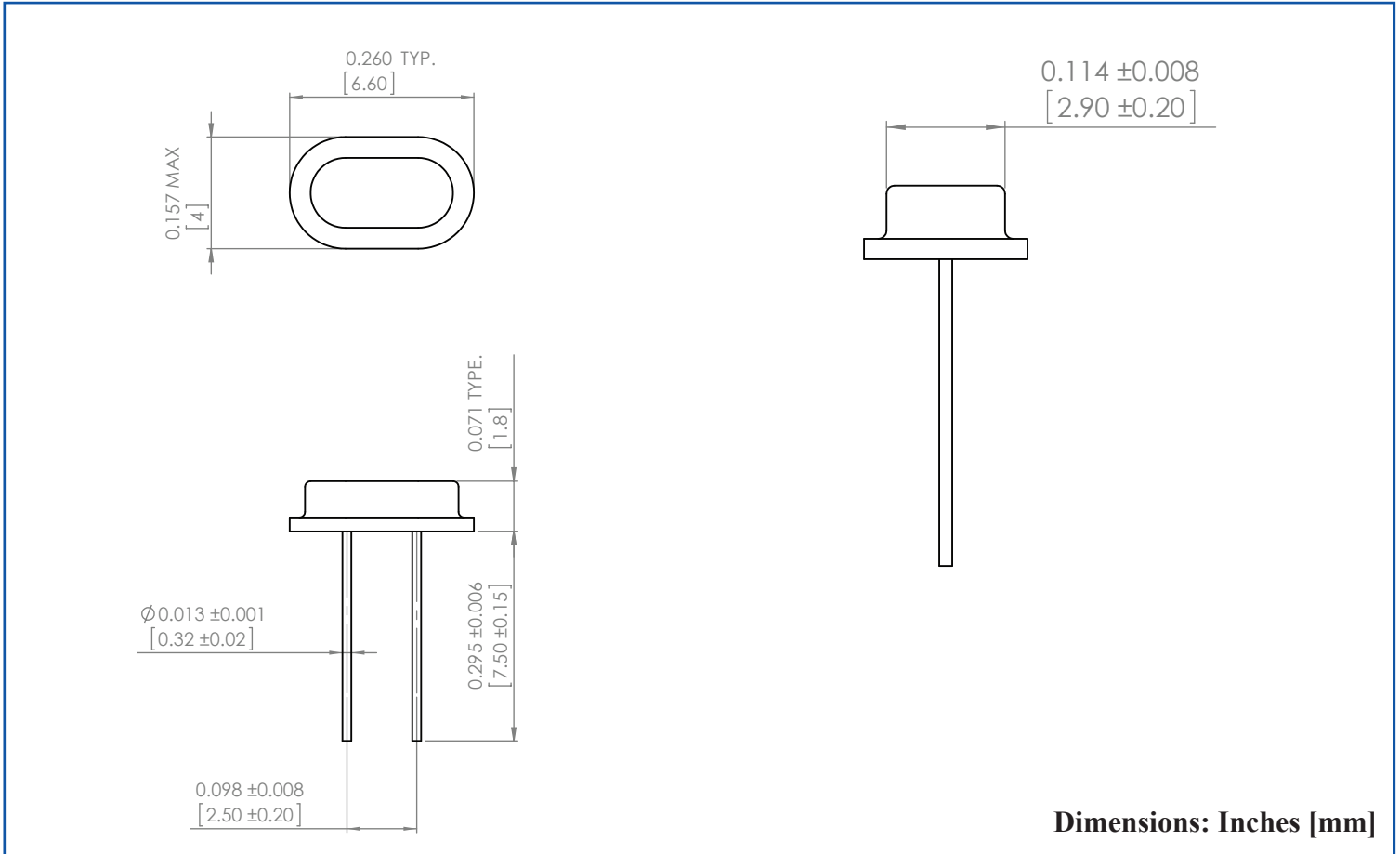


RoHS / RoHS II Compliant



6.6 x 4.0 x 1.8mm

OUTLINE DIMENSION:



Packing
500pcs/bag

ATTENTION: Abracon Corporation's products are COTS – Commercial-Off-The-Shelf products; suitable for Commercial, Industrial and, where designated, Automotive Applications. Abracon's products are not specifically designed for Military, Aviation, Aerospace, Life-dependant Medical applications or any application requiring high reliability where component failure could result in loss of life and/or property. For applications requiring high reliability and/or presenting an extreme operating environment, written consent and authorization from Abracon Corporation is required. Please contact Abracon Corporation for more information.

ABRACON IS
ISO9001:2008
CERTIFIED



ABRACON
CORPORATION

2 Faraday, Suite# B | Irvine | CA 92618 **Revised: 01.06.15**

Ph. 949.546.8000 | Fax. 949.546.8001

Visit www.abracon.com for Terms and Conditions of Sale