

CERAMIC SMD CRYSTAL CLOCK OSCILLATOR



7.0 x 5.0 x 1.8mm

ABFM SERIES



FEATURES:

- Based on a proprietary analog multiplier
- Tri-State Output
- Ultra low Phase Noise
- 125MHz, 156.25MHz, 187.5MHz, and 212.5MHz applications
- 2.5V to 3.3V +/- 10% operation
- Ceramic SMD, low profile package

APPLICATIONS:

- Fiber Channel
- 12Gbit SERDES
- 10Gbit SERDES
- PCI Express

STANDARD SPECIFICATIONS:

PARAMETERS

ABRACON P/N	ABFM Series
Frequency Range	30 MHz to 280 MHz (Contact ABRACON for frequencies out of the range)
Operating Temperature	0°C to + 70°C (see options)
Storage Temperature	- 55°C to + 125°C
Overall Frequency Stability:	± 50 ppm max. (see options)
Supply Voltage (Vdd)	3.3V or 2.5V ±10% (see options)
Jitter	See Table 2.1
Low Phase Noise	See Table 2.1
Aging (ppm/ the first year) :	± 3.0 ppm max.

PECL

Supply Current (I _{DD}) [Fout = 212.50MHz]	100mA max.
Output Clock Duty Cycle @ V _{DD} -1.3V	45% min, 50% typical, 55% max.
Output High Voltage (V _{OH})	V _{DD} -1.025V min
Output Low Voltage (V _{OL})	V _{DD} -1.620V max
Clock Rise time (t _r) @ 20/80%	0.2ns typ, 0.8ns max
Clock Fall time (t _f) @ 80/20%	0.2ns typ, 0.8ns max

LVDS

Supply Current (I _{DD}) [Fout = 212.50MHz]	55mA typical, 60mA max
Output Clock Duty Cycle @ 1.25V	45% min, 50% typical, 55% max
Output Differential Voltage (V _{OD})	247mV min, 355mV typical, 454mV max
VDD Magnitude Change (ΔV _{OD})	-50mV min, 50mV max
Output High Voltage (V _{OH})	1.4V typical, 1.6V max
Output Low Voltage (V _{OL})	1.1V typical, 0.9V min
Offset Voltage [R _L = 100Ω]	V _{OS} = 1.125V min, 1.2V typical, 1.375V max
Offset Magnitude Voltage [R _L = 100Ω]	ΔV _{OS} = 0mV min, 3mV typical, 25mV max
Power-off Leakage (I _{OXD}) [Vout=VDD or GND, VDD=0V]	±1mA typical, ±10μA max
Output Short Circuit Current (I _{OSD})	-5.7mA typ, -8mA max
Differential Clock Rise Time (t _r) [R _L =100Ω, CL=10pF]	0.2ns min, 0.5ns typical, 1.0ns max
Differential Clock Fall Time (t _f) [R _L =100Ω, CL=10pF]	0.2ns min, 0.5ns typical, 1.0ns max

CERAMIC SMD CRYSTAL CLOCK OSCILLATOR



7.0 x 5.0 x 1.8mm

ABFM SERIES



RoHS Compliant

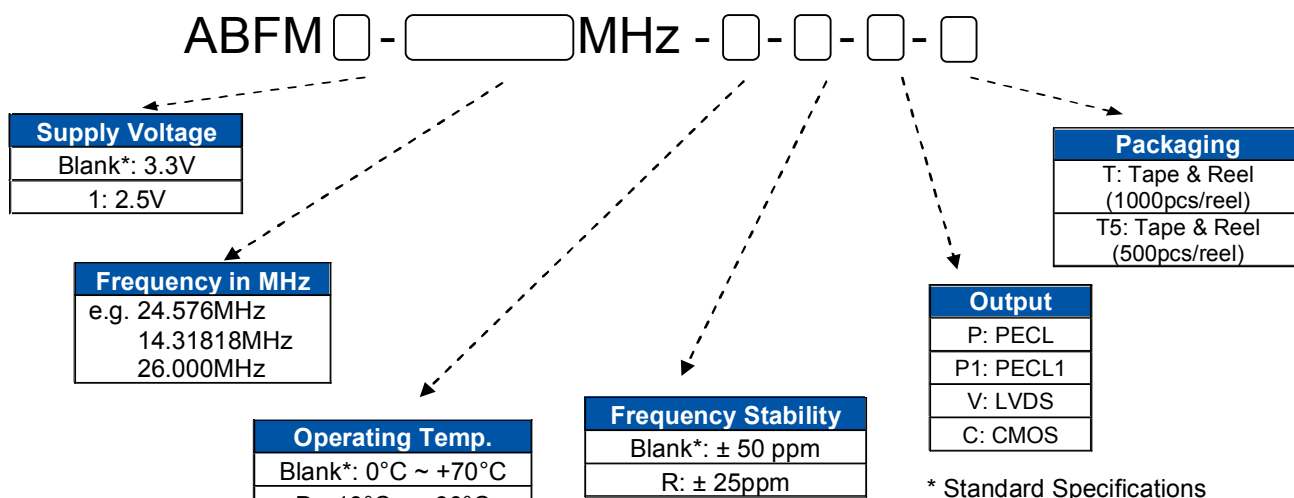
STANDARD SPECIFICATIONS:

<i>CMOS</i>	
Supply Current (I_{DD}) [at 100MHz, load 15pF]	16mA typ, 40mA max
Output Clock Duty Cycle @ 50% V_{DD}	45% min, 50% typical, 55% max
Output High Voltage (V_{OH}) [$I_{OH} = -8.5mA$]	2.4V min
Output Low Voltage (V_{OL}) [$I_{OL} = 8.5mA$]	0.4V max
Output Drive Current (I_{OSD}) [$V_{OL} = 0.4V, V_{OH} = 2.4V$]	8.5mA typ
Output Clock Rise/Fall time [10% ~ 90% V_{DD} w/10pF load]	2.0ns typical, 2.5ns max
Output Clock Duty cycle [Measured @ 50% V_{DD}]	45% min, 50% typical, 55% max

Table 2.1 (Example data. Frequency dependent. Reference only)

Frequency (MHz)	Phase Noise (dBc)			Phase jitter RMS (ps)		Period jitter peak to peak (ps)	
	Offset			Typical	Max	Typical	Max
	1kHz	10kHz	100kHz				
155.52	-128	-137	-143	0.5	1	5	10
212.5	-115	-122	-120	3.5	5	10	20
312.5	-113	-120	-115	3.5	5	10	20
622.08	-107	-117	-111	3.5	5	10	20

OPTIONS AND PART IDENTIFICATION (Left blank if standard)



TRI-STATE PIN OUT DESCRIPTION:

OUTPUT TYPE OPTION		PIN 1 logic level* (Tri-State pinout operation)	Output State
P	PECL	1	Tri-state
		0 (Default)	Enabled
P1	PECL1	0	Tri-state
		1	Enabled
V	LVDS	0	Tri-state
		1(Default)	Enabled
C	CMOS	0	Tri-state
		1(Default)	Enabled

*Connect to VDD for logic level "1", connect to ground for logic level "0".



CERAMIC SMD CRYSTAL CLOCK OSCILLATOR

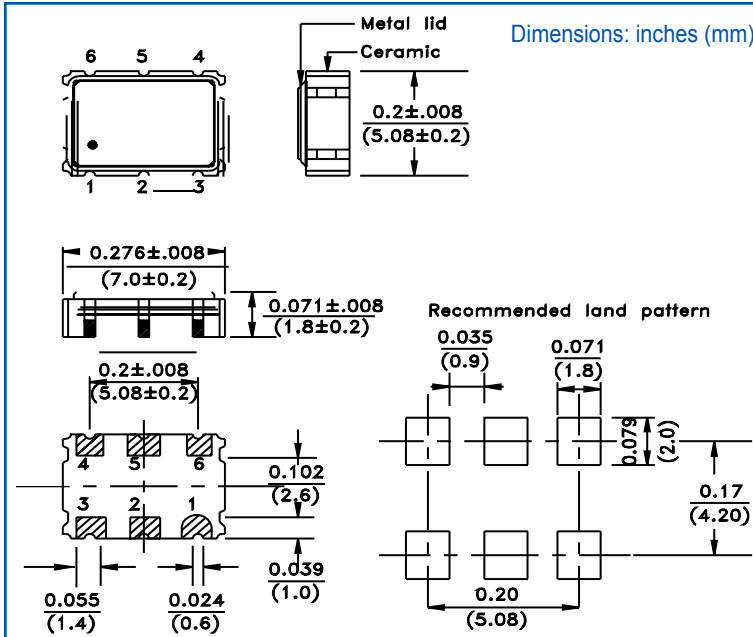


7.0 x 5.0 x 1.8mm

ABFM SERIES

Pb RoHS Compliant

PECL & LVDS OUTLINE DRAWING:

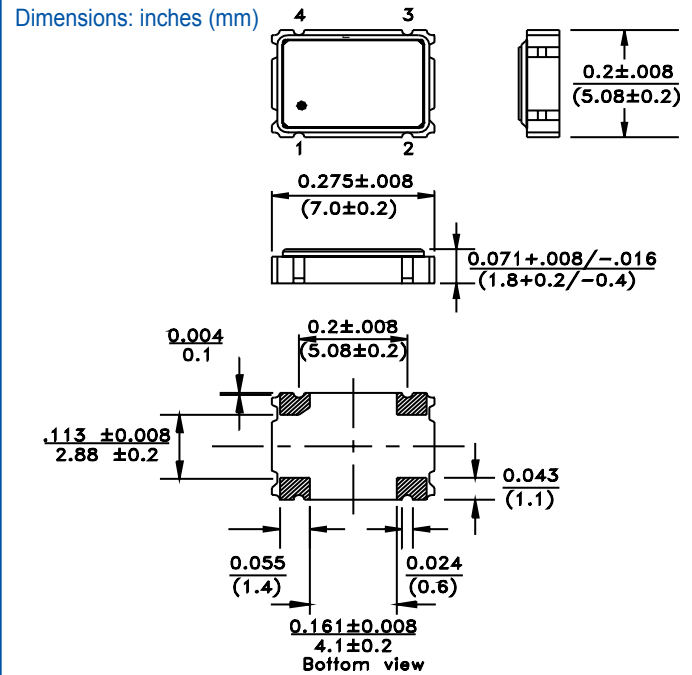


Bottom view

Dimensions: Inch(mm)

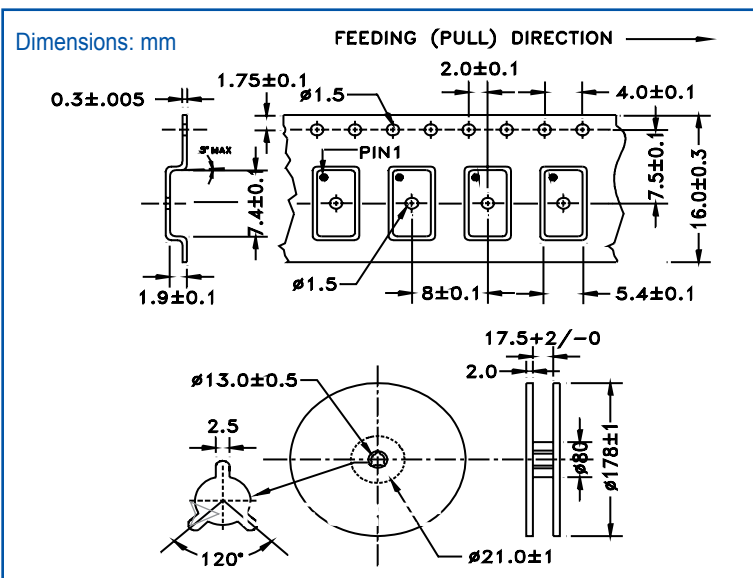
PIN #	Name	Description
1	Tri-state	Tri-state
2	NC	No Connect
3	GND	Ground
4	Q	PECL, LVDS
5	Q̄	Complimentary PECL, LVDS
6	V _{DD}	VDD Connection

CMOS OUTLINE DRAWING:

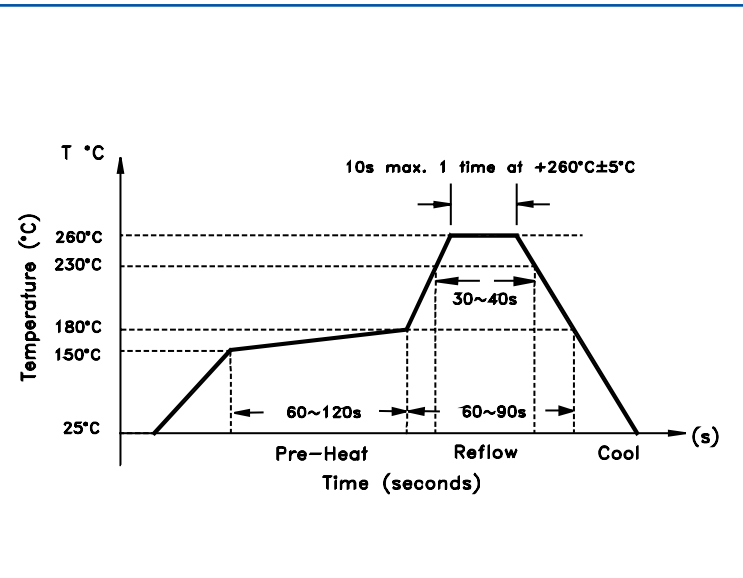


PIN	FUNCTION
1	Tristate
2	GND/Case
3	Output
4	Vdd

TAPE & REEL: T= tape and reel (1,000pcs/reel)



REFLOW PROFILE:



Need a test socket for the ABFM Series?
To view compatible **PRECISION TEST AND BURN-IN SOCKETS** for these parts, [click here.](#)

ATTENTION: Abracon Corporation's products are COTS - Commercial-Off-The-Shelf products; suitable for Commercial, Industrial and, where designated, Automotive Applications. Abracon's products are not specifically designed for Military, Aviation, Aerospace, Life-dependant Medical applications or any application requiring high reliability where component failure could result in loss of life and/or property. For applications requiring high reliability and/or presenting an extreme operating environment, written consent and authorization from Abracon Corporation is required. Please contact Abracon Corporation for more information.

ABRACON IS
ISO9001:2008
CERTIFIED



ABRACON
CORPORATION

Visit www.abracon.com for Terms & Conditions of Sale **Revised: 08.10.10**
30332 Esperanza, Rancho Santa Margarita, California 92688
tel 949-546-8000 | fax 949-546-8001 | www.abracon.com